

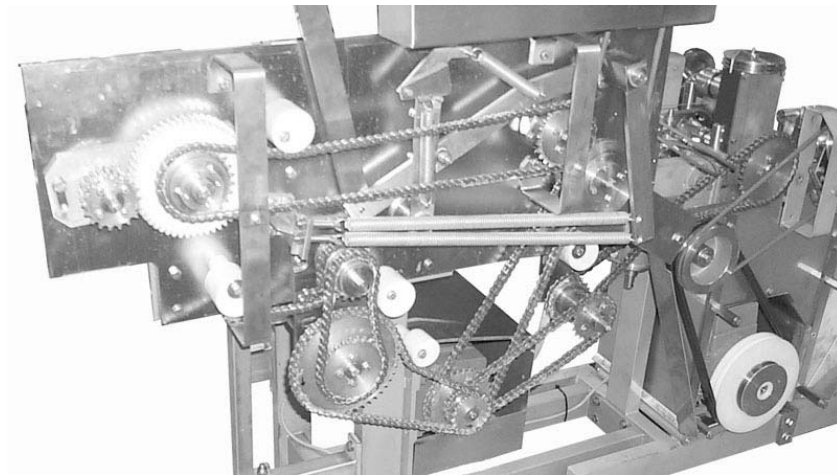


Spare Parts

Skinning machine

Type CUM440

No. XXXXX



Spare Parts Routine

When ordering spare parts, please always state:

- Machine number and type, see machine plate.
- Part number and denomination, see spare parts catalogue.



Note!

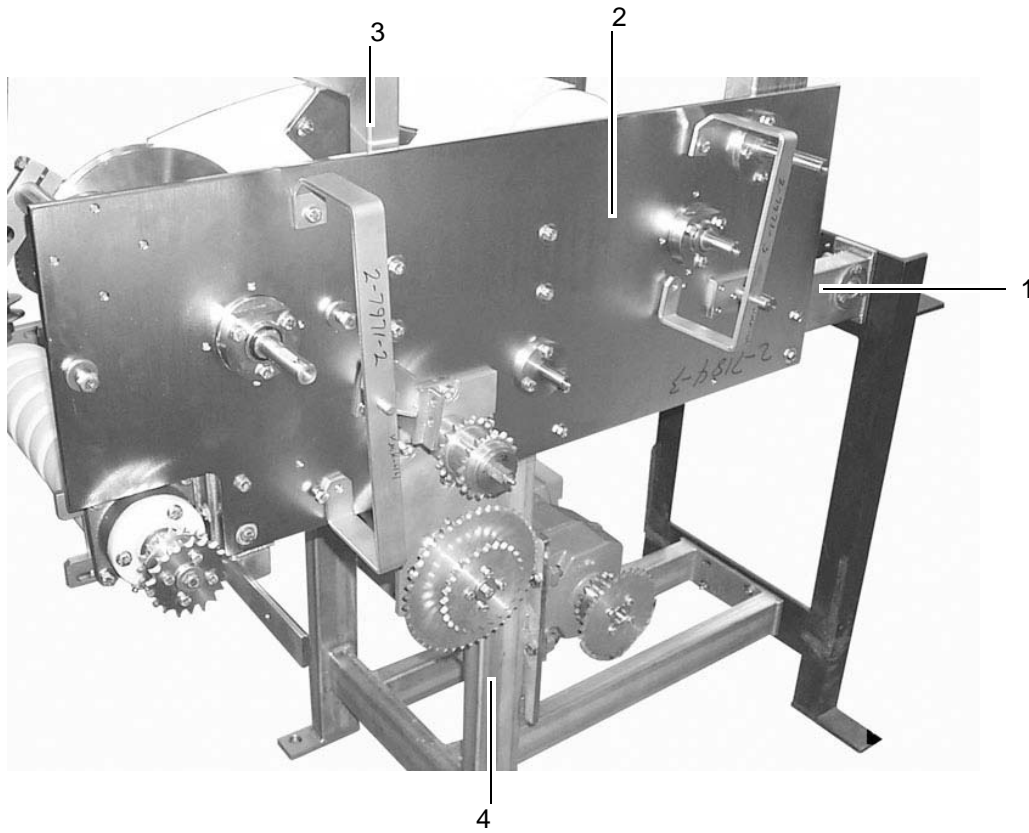
If the part number is followed by an "F" or an "*", this indicates that the part is size dependant. If so, please state all datas that affect the part in question, e g box size, splint dimension etc.

On request we can supply

- Suggestions of parts to be kept in stock by user.
- List of parts for renovation.
- List of available improvements.
- List of parts required when changing from one size to another.
- Please always indicate type and serial number of the machine and size of product.

1 Stand (CUM440 1,01)	1
2 Gear box (CUM440 2,02).	3
3 Inner belt (CUM44 3,01)	7
4 Driving rollers (CUM44 4,02)	9
5 Rear roller (CUM44 5,02).	11
6 Belt extension (CUM44 6,02).	13
7 Belt and guide roller (CUM440 7,02)	15
8 Break wheel (CUM44 8,02)	19
9 Knife (CUM44 9,02)	23
10 Driving device (CUM440 10,02).	27
11 Chutes (CUM440 11,01)	29
12 Flush system (CUM44 12,02)	31
13 Driving device of knives (CUM440 13,02)	33
14 Belt and rail (CUM440 14,01)	35
15 Connection parts (CUM44 201,02)	37

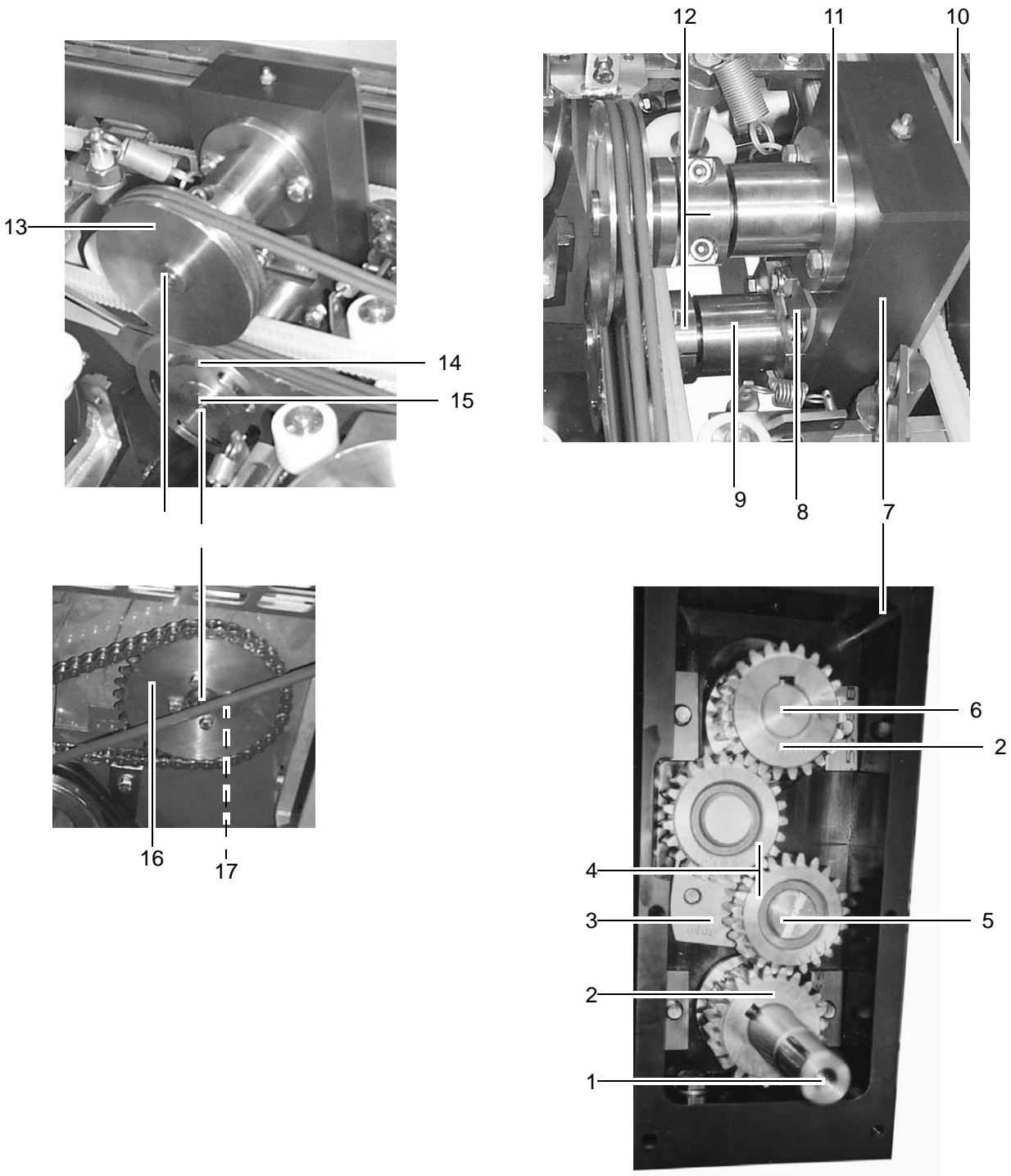
1 Stand (CUM440 1,01)



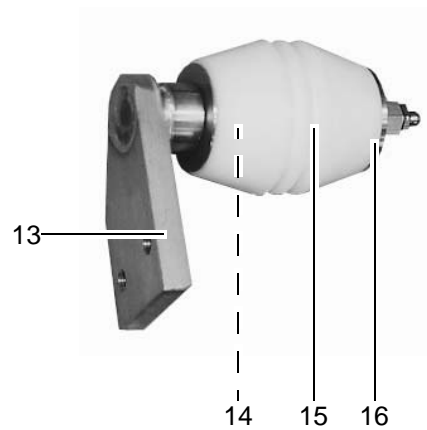
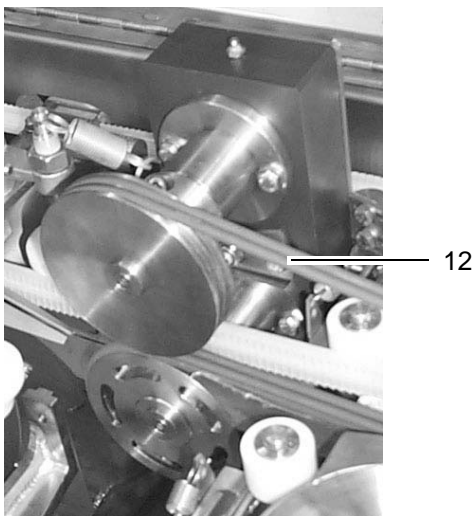
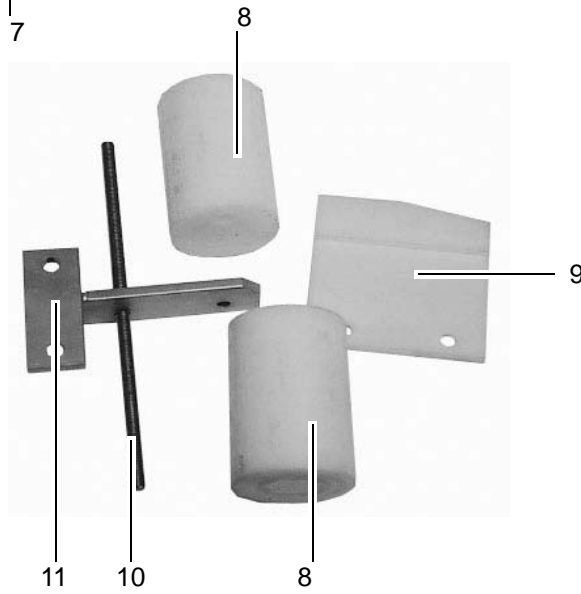
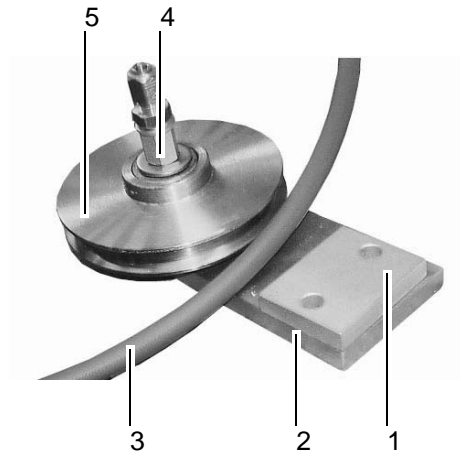
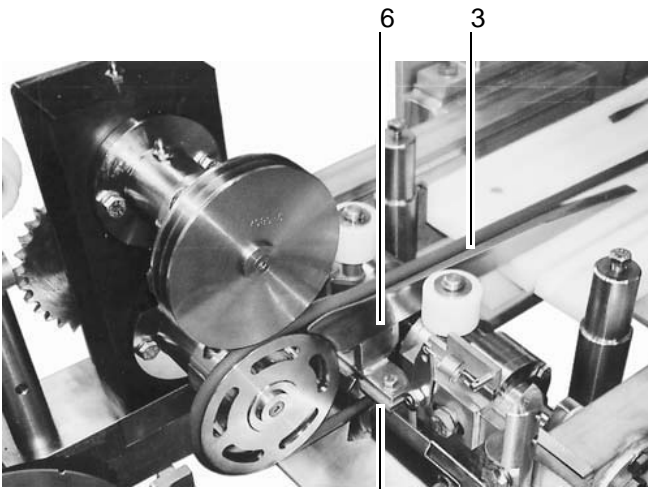


Pos. No	Part No	Name
1	CU-07023-2	Stand
2	CU-07184-3	Plate
3	CU-07087-2	Support
4	CU-08708-4	Support

2 Gear box, infeed (CUM440 2,03)

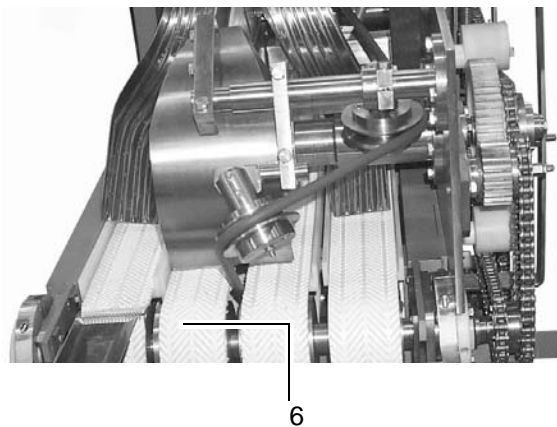
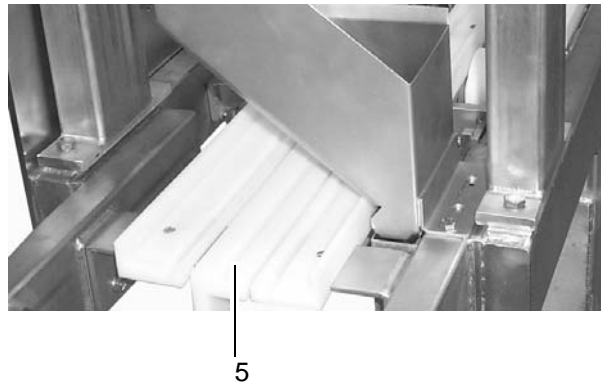
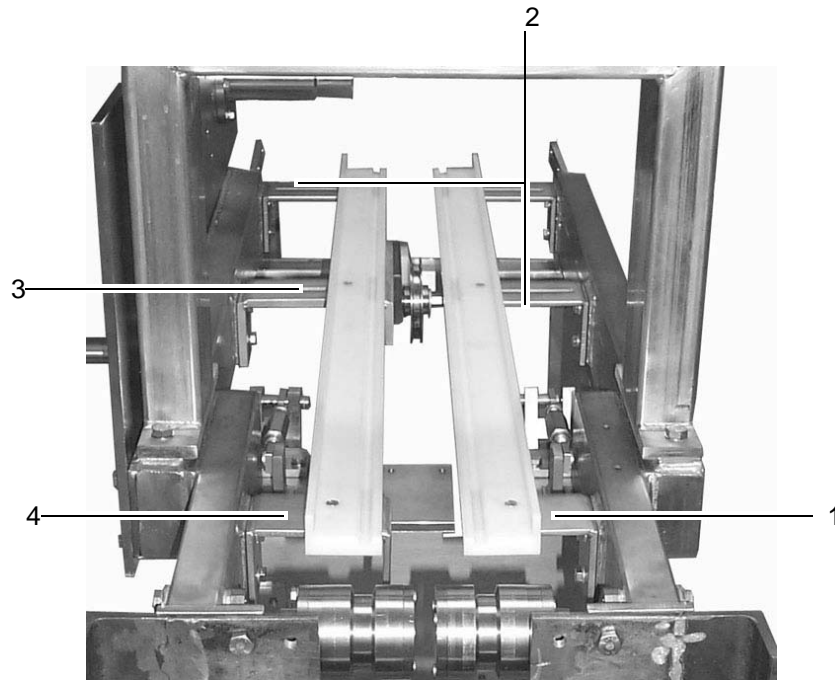


Pos. No	Part No	Name
1	CU-07079-3	Shaft
2	CU-07083	Cog wheel
3	CU-07089	Plate
4	CU-07141	Cog wheel
5	CU-07090	Shaft
6	CU-07084-3	Shaft
7	CU-07078-2	House
8	CU-08548	Washer
9	CU-07082-6	Bearing housing
	SGH 35 RS	Ring
	SLB 25/35X25	Bushing
10	CU-07088-2	Cap
	SLB 20/28X20	Bushing
11	CU-07082-7	Bearing housing
	CU-01320	Bushing
	SGH 35 RS	Ring
12	CU-11983-2	Hub
13	CU-07080-6	Pulley
14	CU-07697-8	Disc
15	CU-04178-2	Washer
16	CU-05323-18	Chain wheel
17	CU-07150	Hub



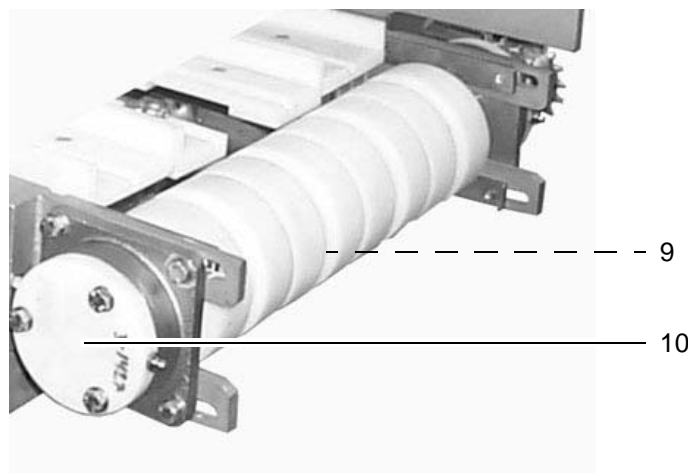
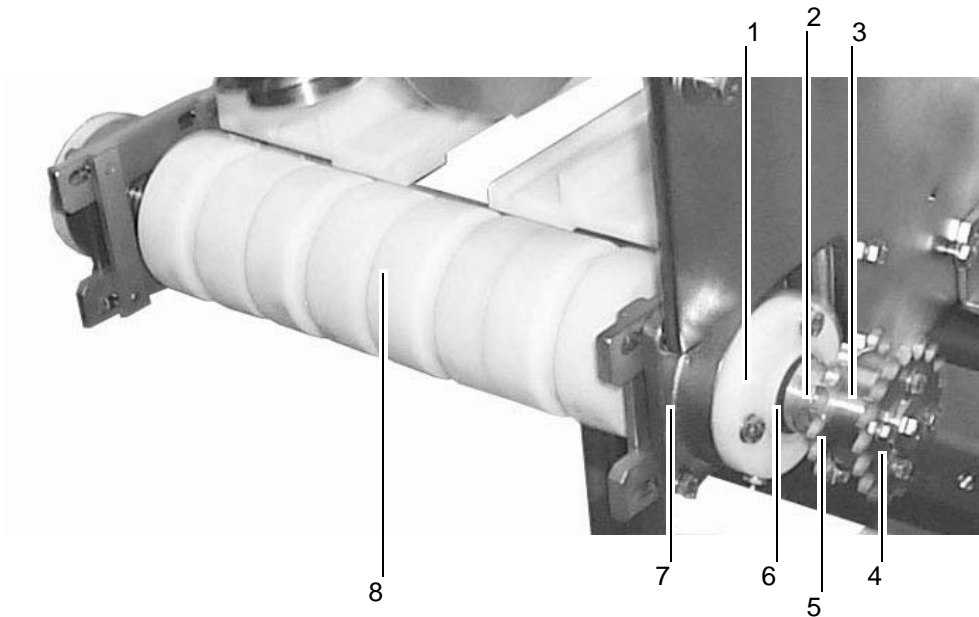
Pos. No	Part No	Name
1	CU-09889	Plate
2	CU-08524-2	Plate/shaft
3	CU-07983-4	Belt
4	CU-00037	Screw
5	CU-07026-6	Wheel
	SLB 20/28X30	Bushing
6	CU-07500-4	Guide
7	CU-11999	Bracket
8	CU-12169-3	Tensioner
9	CU-12413-2	Guide
10	CU-12417	Pin bolt
11	CU-12414	Console
12	CU-09518-7	Belt (2x)
13	CU-08526	Bracket
14	CU-01367	Bushing
15	CU-07085-7	Wheel
16	CU-13051	Washer

3 Inner band (CUM440 3,01)



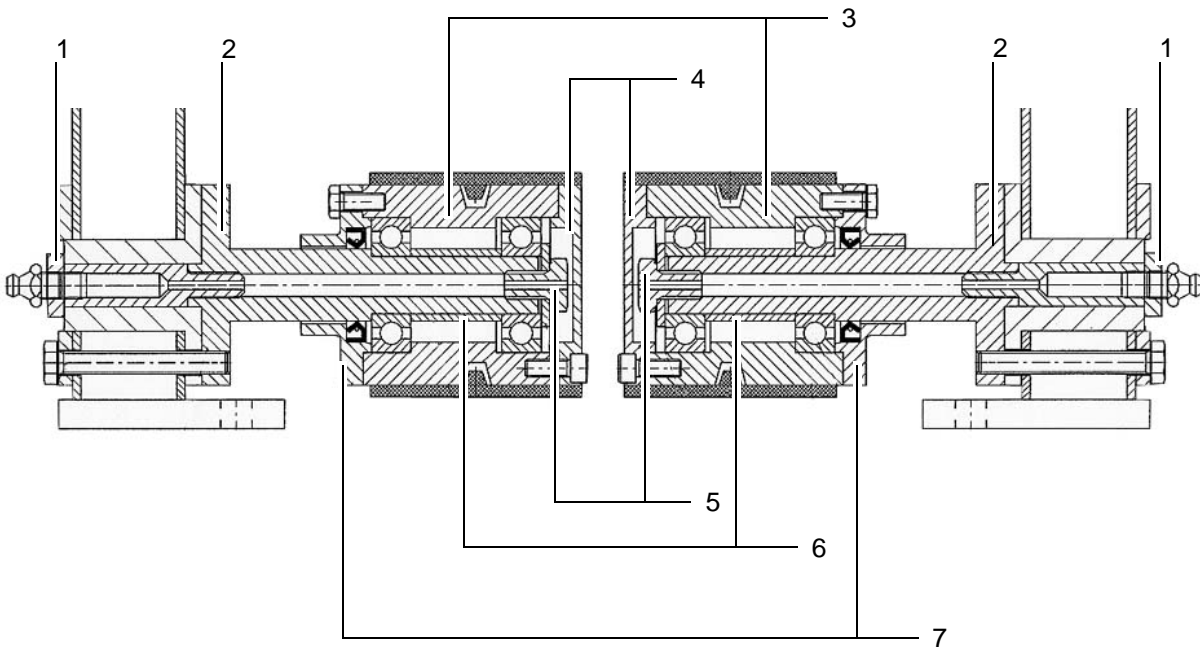
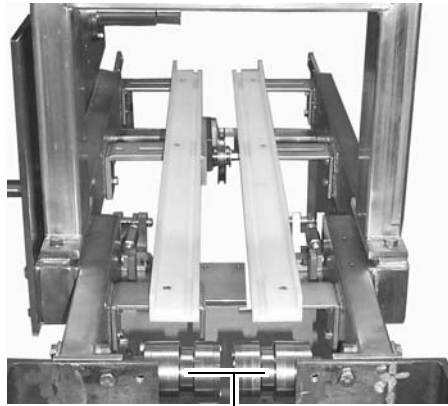
Pos. No	Part No	Name
1	CU-08517	Console
2	CU-08515	Console
3	CU-08516	Console
4	CU-08518	Console
5	CU-08511-2	Guide
6	CU-07194-5	Belt

4 Driving rollers (CUM440 4,02)



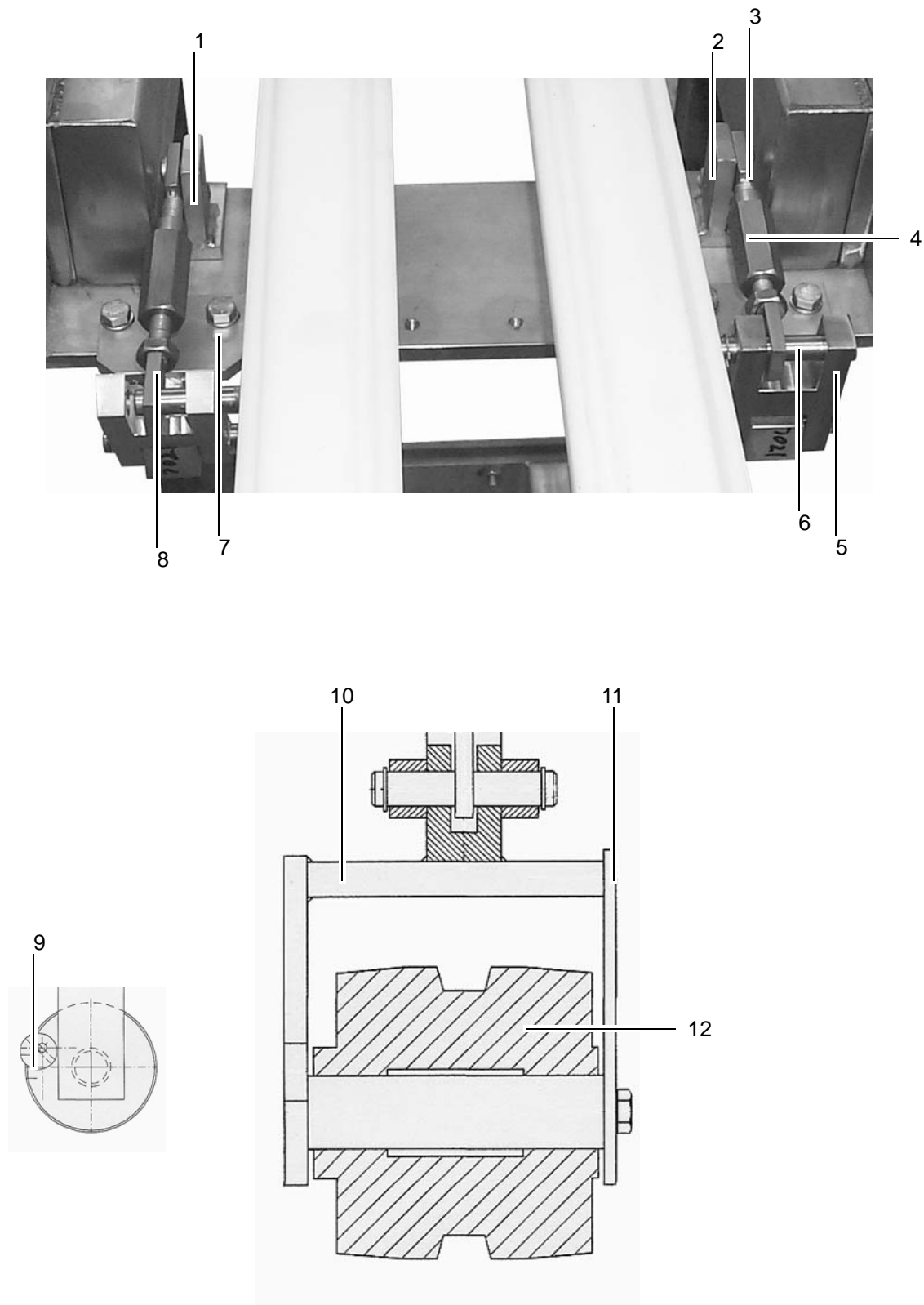
Pos. No	Part No	Name
1	CU-00714	Cap
	TSNAH KR 1/8"RS	Nipple
2	CU-07903-2	Distance
3	CU-07904-2	Hub
4	CU-05323-2	Chain wheel
5	CU-05323-1	Chain wheel
6	CU-00712	Sleeve
	V-35S	Sealing
7	CU-01400-4	Bearing housing
8	CU-09840-4	Roller
9	CU-07062	Shaft
	SKF 1206 ETN9	Ball bearing
	V-35S	Sealing
	SGA 35 RS	Ring
10	CU-01427	Cap
	TSNAH KR 1/8"RS	Nipple

5 Rear roller (CUM440 5,02)



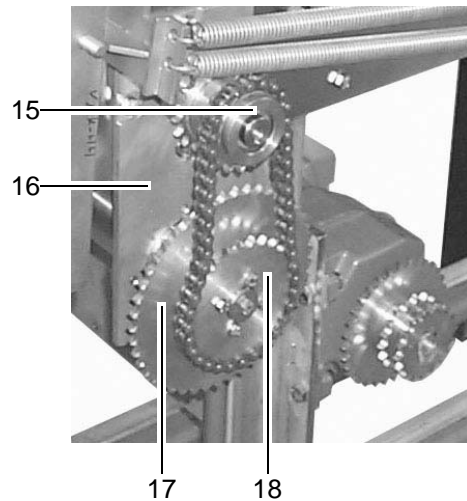
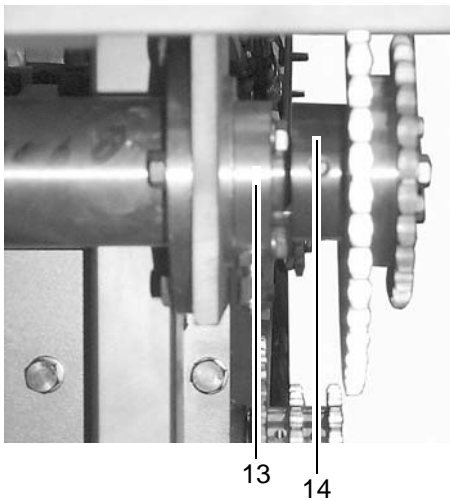
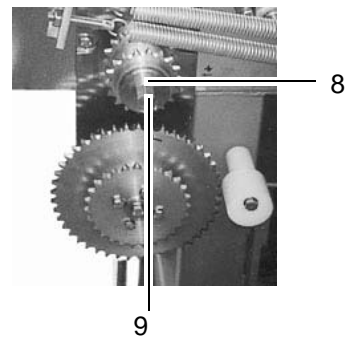
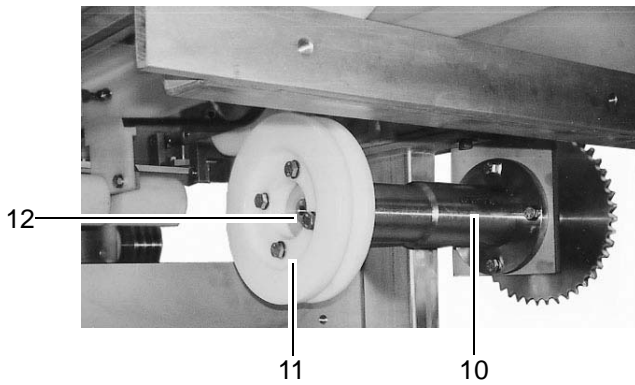
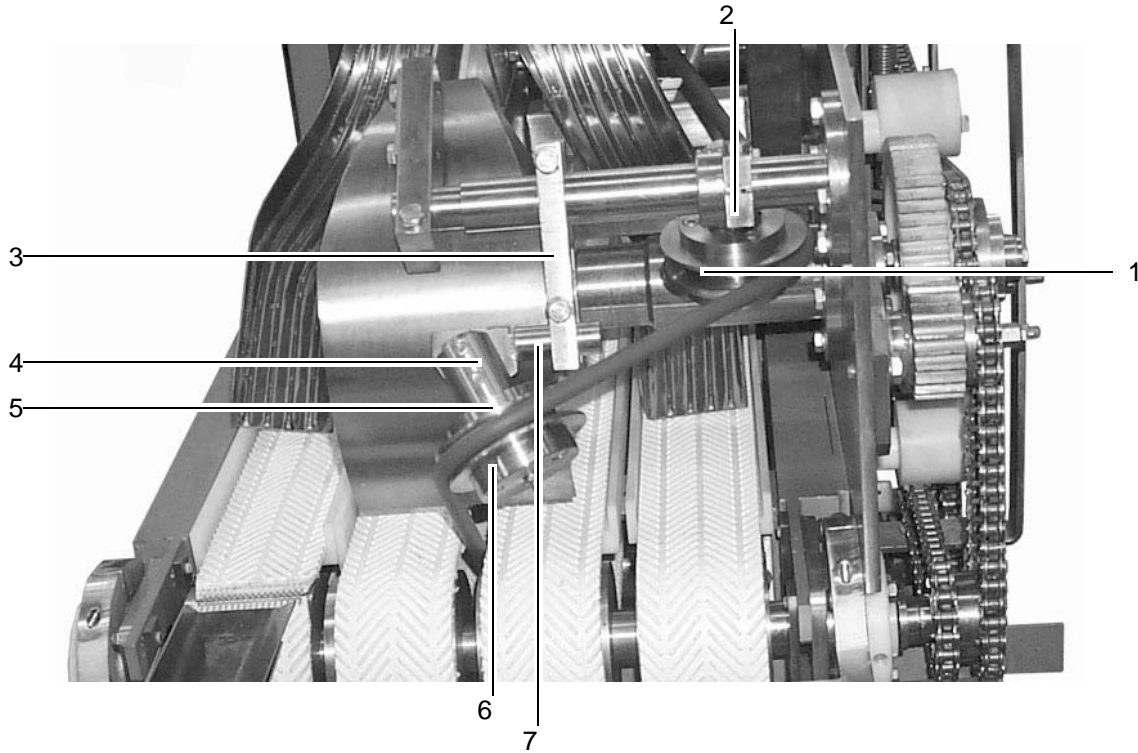
Pos. No	Part No	Name
1	CU-07941	Screw
	TSNAH KR 1/8"RS	Nipple
2	CU-07939	Screw
3	CU-07831-4	Roller
	SKF 6204	Ball bearing
4	CU-07827-2	Cap
5	CU-07829	Screw
6	CU-07834	Spacer
7	CU-07828-2	Cap
	TR 25X40X7BSAL	Sealing

6 Belt extension (CUM440 6,03)

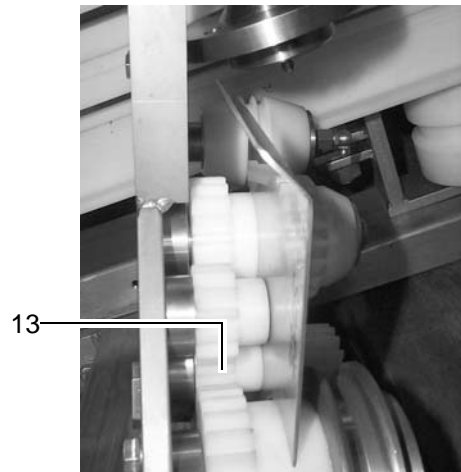
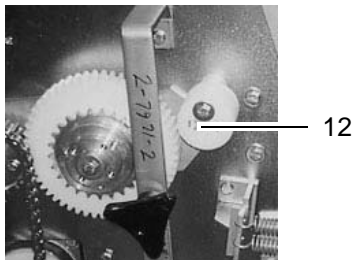
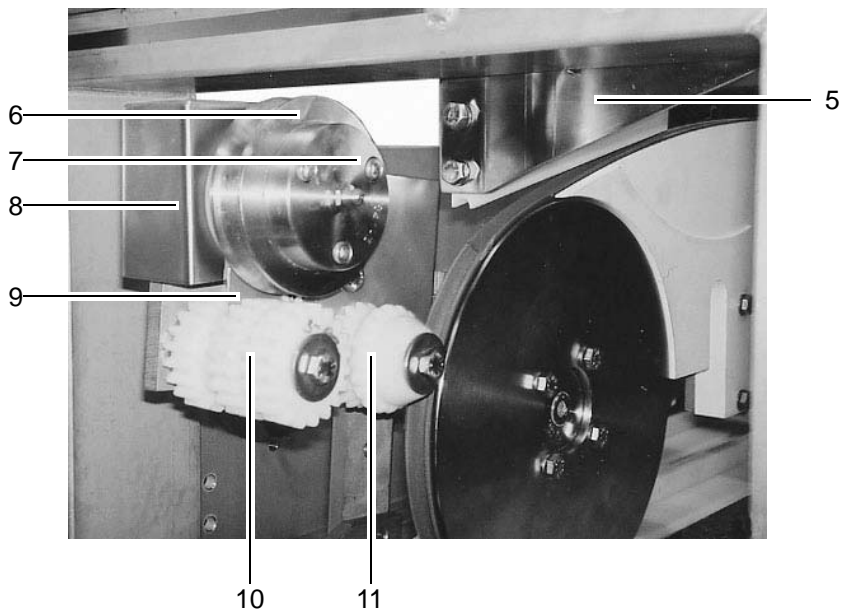
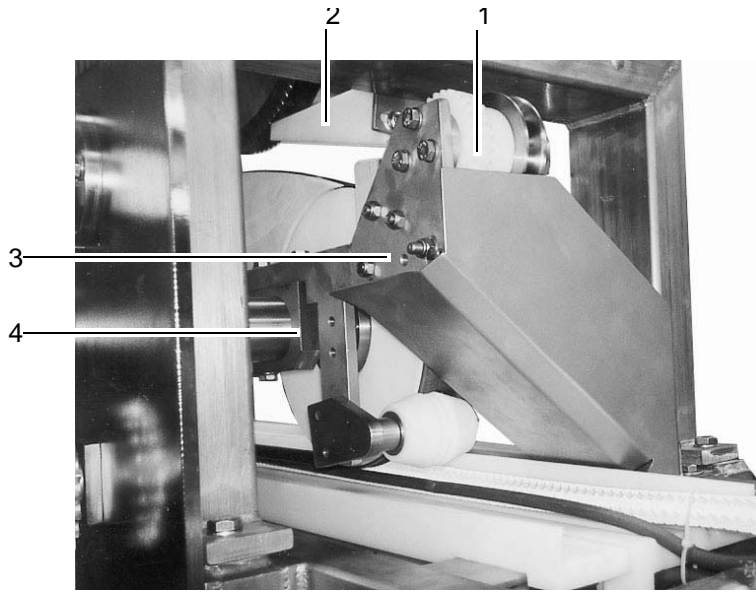


Pos. No	Part No	Name
1	CU-11352	Bracket
2	CU-11353	Bracket
3	CU-11350	Link (R)
	CU-11351	Link (L)
4	CU-14547-2	Link
5	CU-07020-2	Bracket
6	CU-06385-2	Shaft
	SGA 12 RS	Ring
7	CU-07021	Bracket
8	CU-11350	Link (R)
	CU-11351	Link (L)
9	CU-07940-3	Support
10	CU-07017-3	Bracket
11	CU-07018	Support
12	CU-07019-4	Roller

7 Belt and guide roller (CUM440 7,02)

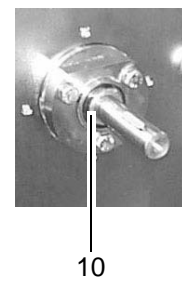
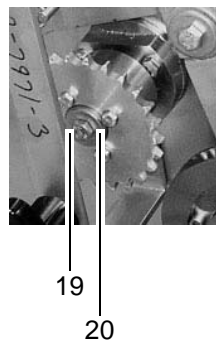
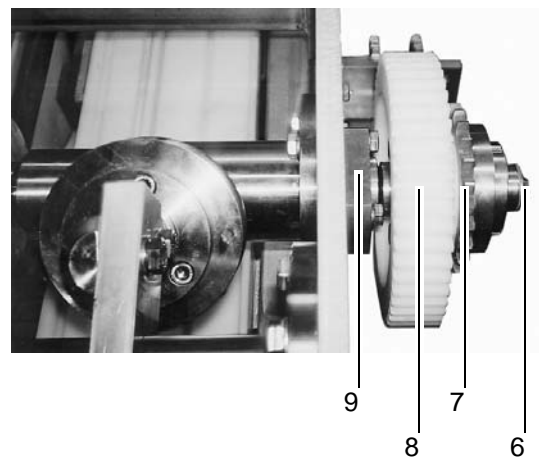
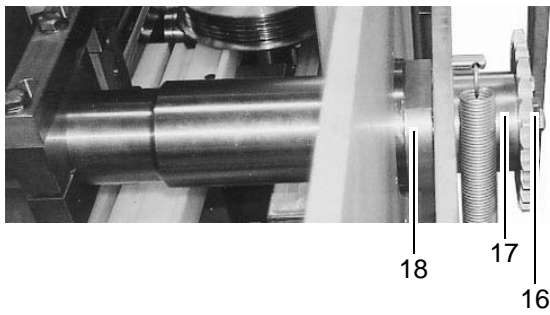
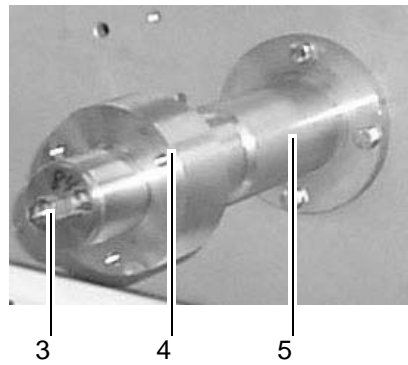
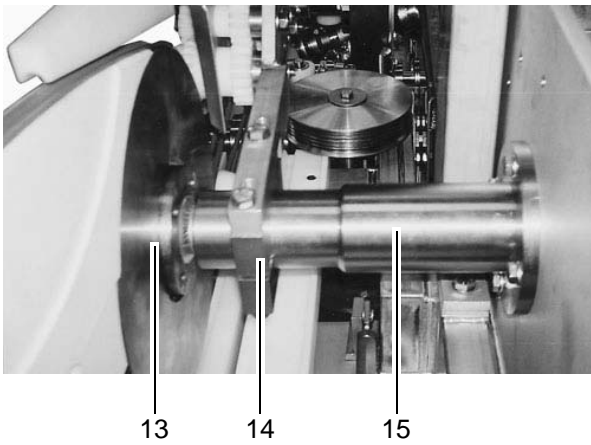
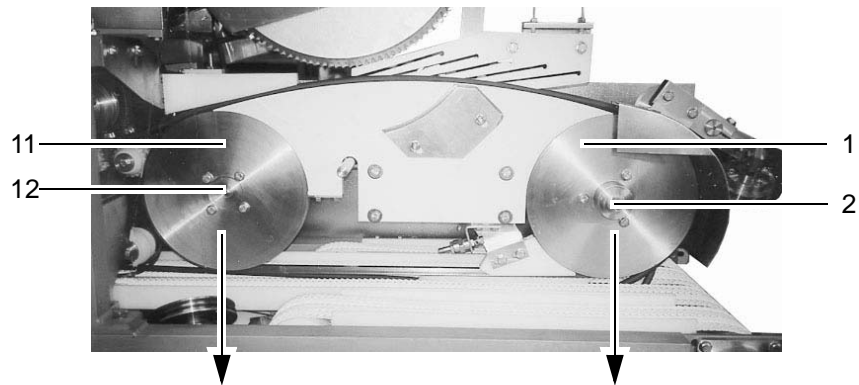


Pos. No	Part No	Name
1	CU-07012-9	Wheel
2	CU-09847-2	Hub
3	CU-09848-2	Hub
4	CU-05838-2	Shaft
	SKF 3203 ATN9	Ball bearing
	V-20S	Sealing
5	CU-05840-3	Cap
6	CU-05841-3	Cap
	TSNAH KR 1/8"RS	Nipple
7	CU-09849	Shaft
8	CU-08459	Washer
9	CU-03249-2	Screw
10	CU-06998-3	Bearing housing
	SKF 6204	Ball bearing
	SKF NKI 25/30	Needle bearing
	SGH 38 RS	Ring
	SGH 47 RS	Ring
	TR 30X47X7	Sealing
11	CU-08458	Wheel
12	CU-06999	Shaft
13	CU-00043	Cap
	CU-00047	Sleeve
	V-28S	Sealing
14	CU-07074-3	Hub
15	CU-10136-2	Chain wheel
	CU-01320	Bushing
16	CU-08457-2	Console
17	CU-13649	Chain wheel
18	CU-13667	Chain wheel

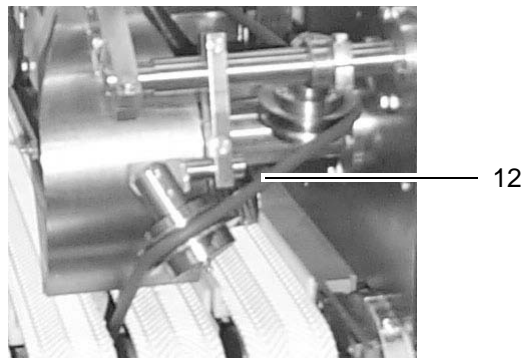
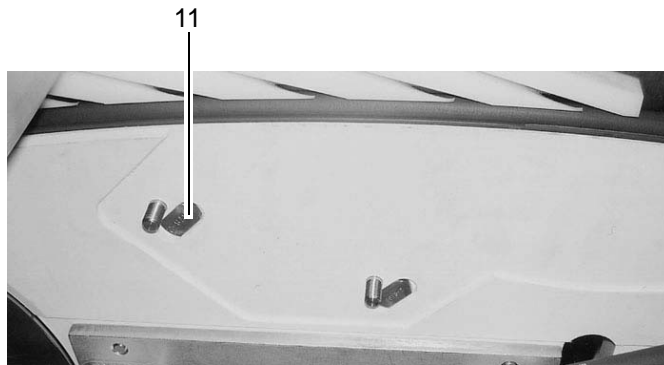
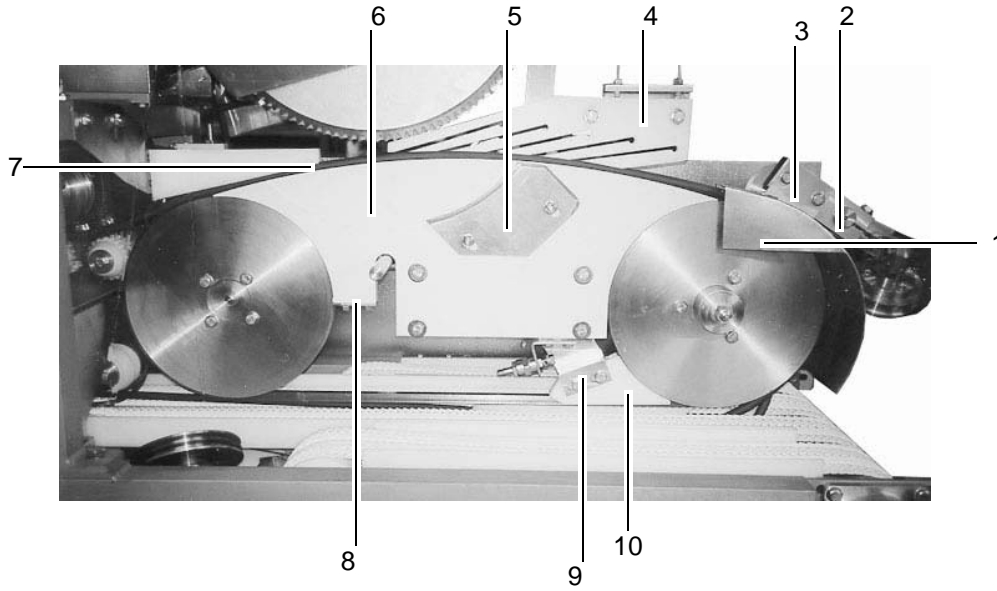


Pos. No	Part No	Name
1	CU-08528	Cog wheel
	CU-08557-2	Shaft
	SKF 3203 ATN9	Ball bearing
2	CU-08718	Guide
3	CU-08525	Lever
4	CU-08522-2	Hub
5	CU-10367	Console
6	CU-07012-8	Wheel
7	CU-05841-3	Cap
8	CU-09860	Cover
9	CU-08805	Plate
10	CU-08560	Roller
	CU-08527	Shaft
11	CU-08559-4	Roller
	CU-08527	Shaft
12	CU-12170	Tightener
13	CU-08529	Cog wheel
	CU-08558	Shaft

8 Break wheel (CUM440 8,02)

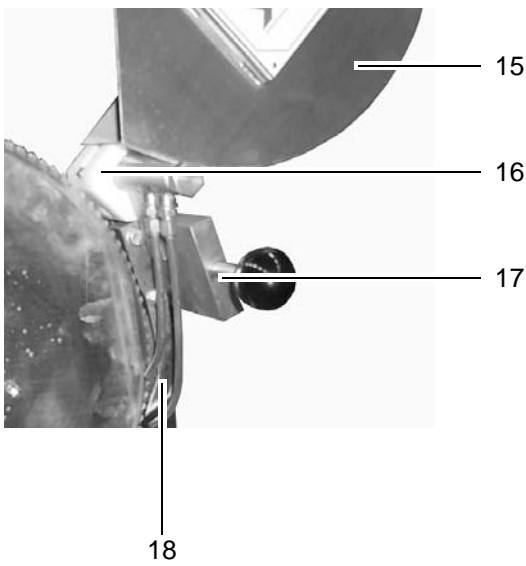
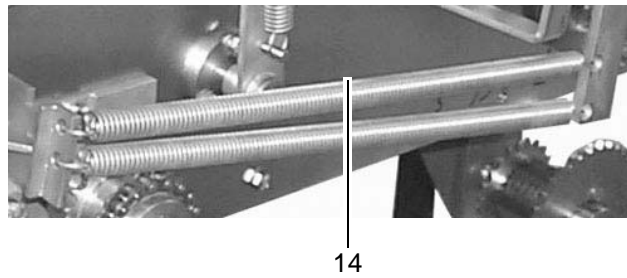
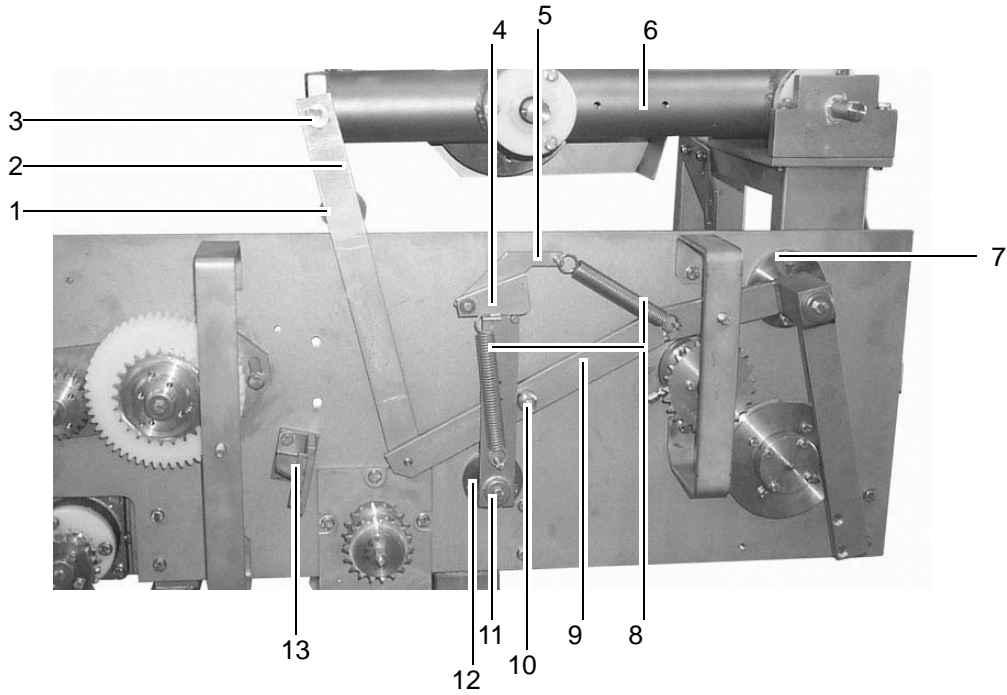


Pos. No	Part No	Name
1	CU-08808	Pulley
2	CU-08452	Shaft
3	CU-03249	Screw
	TSNAH KR 1/8"RS	Nipple
4	CU-08809-3	Hub
5	CU-06998-4	Bearing housing
	SKF 6204	Ball bearing
	SKF NKI 25/30	Needle bearing
	TR 30X47X8 BSAL	Sealing
	SGH 38 RS	Ring
	SGH 47 RS	Ring
6	CU-00016-1	Washer
7	CU-07996	Chain wheel
8	CU-07994	Cog wheel
9	CU-00043	Cap
10	CU-00047	Sleeve
	V-28S	Sealing
11	CU-07000-5	Pulley
12	CU-06999	Shaft
13	CU-08629-2	Spacer
14	CU-08522-2	Hub
15	CU-06998-3	Bearing housing
	SKF 6204	Ball bearing
	SKF NKI 25/30	Needle bearing
	TR 30X47X8 BSAL	Sealing
	SGH 38 RS	Ring
	SGH 47 RS	Ring
16	CU-05323-8	Chain wheel
17	CU-05314-3	Hub
18	CU-00043	Cap
19	CU-00016-1	Washer
20	CU-00047	Sleeve
	V-28S	Sealing

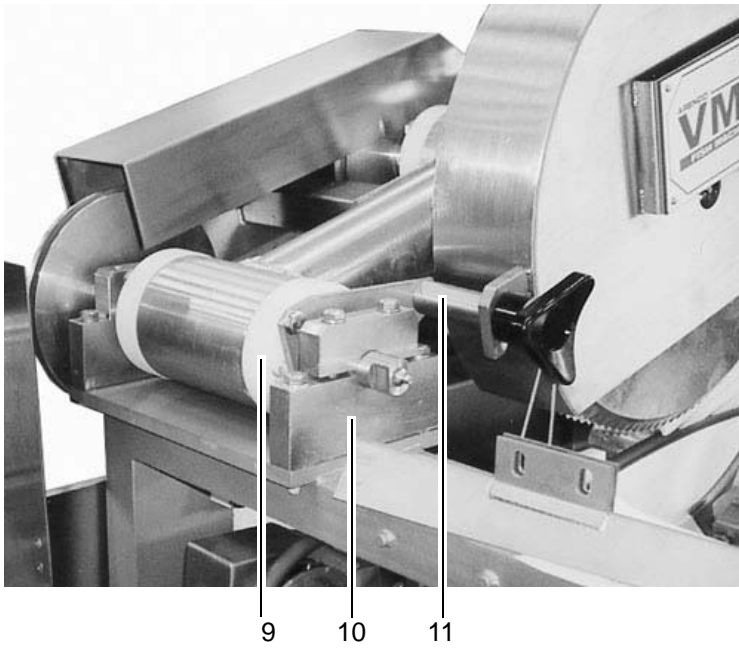
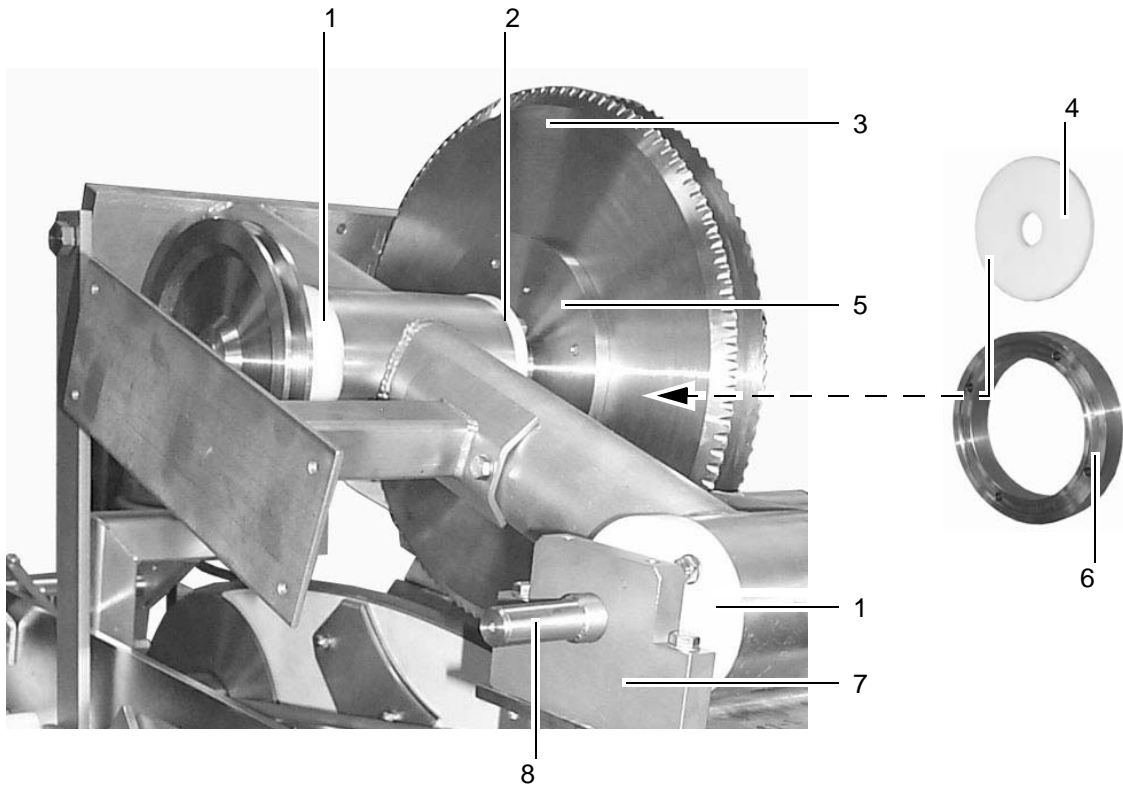


Pos. No	Part No	Name
1	CU-08877-2	Chute
2	CU-07987	Shaft
3	CU-08871-2	Lever
4	CU-08454-2	Comb
5	CU-07892-3	Plate
	CU-07893-3	Plate
6	CU-07888-6	Guide
7	CU-08807-3	Belt
8	CU-08467-3	Scraper
9	CU-12272-3	Scraper
10	CU-12285-2	Guide
11	CU-08878-2	Screw (4x)
12	CU-07983-3	Belt

9 Knife (CUM440 9,04)

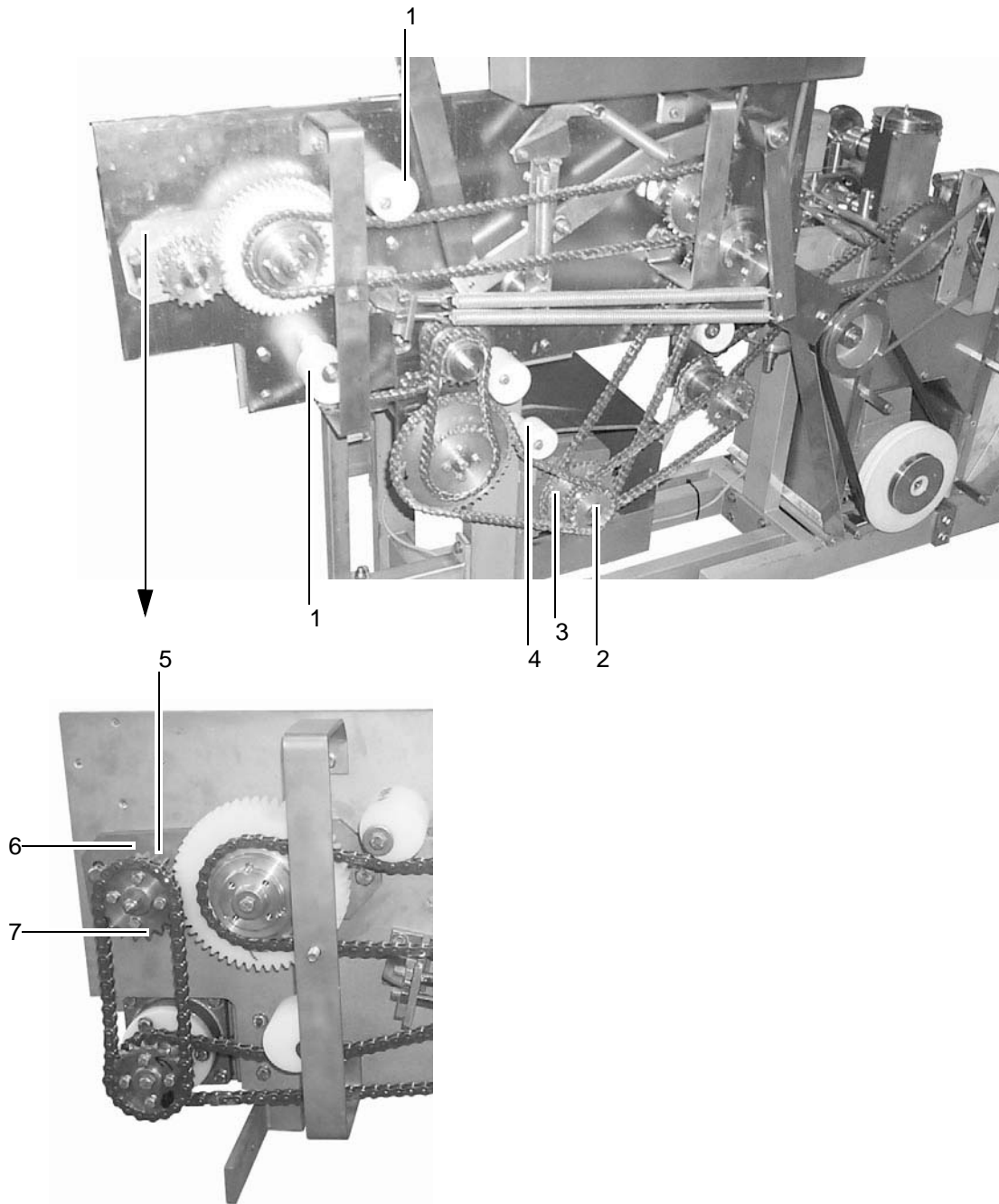


Pos. No	Part No	Name
1	CU-08464-4	Eccentric
2	CU-08465-2	Lever
	SLB 16/22X12	Bushing
3	CU-07428	Screw
4	CU-08463	Stop
	SLB 10/16X8	Bushing
5	CU-08461	Lever
	SLBF 16/22X16	Bushing
	SGA 10 RS	Ring
6	CU-07973	Cradle
7	CU-07908	Stud
8	CU-00187-3	Spring
	CU-03634-2	Spring holder
9	CU-07907	Lever
	SLBF 20/28X20	Bushing
10	CU-10382-4	Roller
11	CU-02183	Screw
	CU-00016-1	Washer
12	CU-08462	Stud
13	CU-07909	Bracket
14	CU-07523	Spring
15	CU-07779-2	Cover
16	CU-07780	Bracket
17	CU-08615	Stud
	HTKB 50XM12	Handle
18	CU-08880-3	Plate
	CU-08879-3	Plate
	CU-08881-2	Spacer



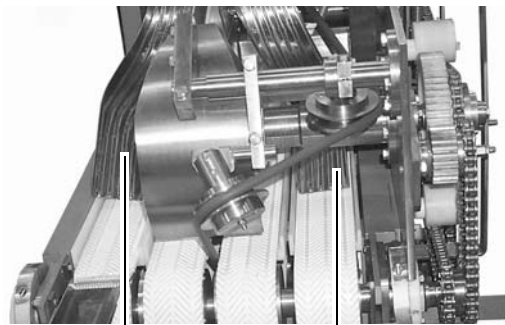
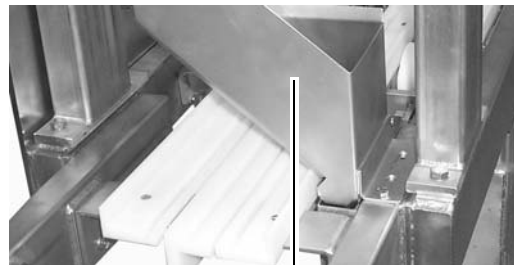
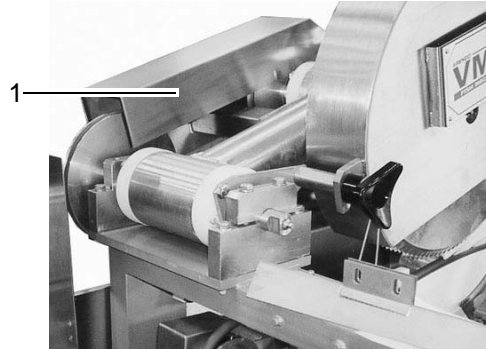
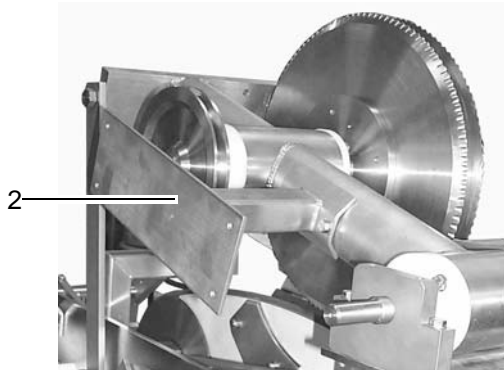
Pos. No	Part No	Name
1	CU-07156-2	Cap
	TR 25X40X7	Sealing
2	CU-07157	Cap
	TR 40X62X8	Sealing
3	CU-07169-8	Knife (Aluminium)
	CU-07169-10	Knife (Stainless)
4	CU-09136	Disc
5	CU-07171-2	Shaft
	SKF KM 6	Nut
	SKF KM 7	Nut
6	SKF MB 6	Washer
	SKF MB 7	Washer
	SKF 32206	Ball bearing
	SKF 32207	Ball bearing
	CU-09135-15	Disc
7	CU-07152-2	Bracket
8	CU-07153-2	Shaft
	SKF KM 6	Nut
	SKF MB 6	Washer
	SKF 32206	Ball bearing
9	SKF 6204	Ball bearing
	CU-07156	Cap
10	TR 25X40X7	Sealing
	CU-07151-2	Bracket
11	CU-08455	Stop

10 Driving device (CUM440 10,02)



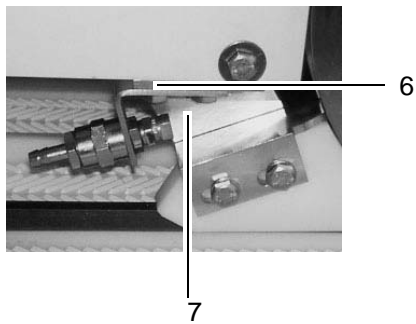
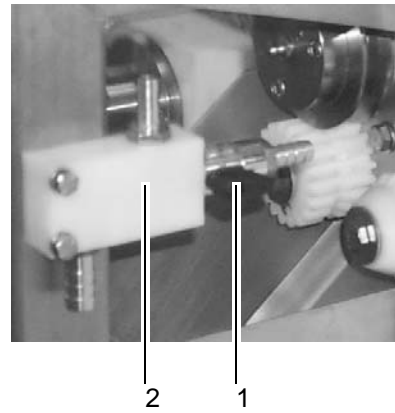
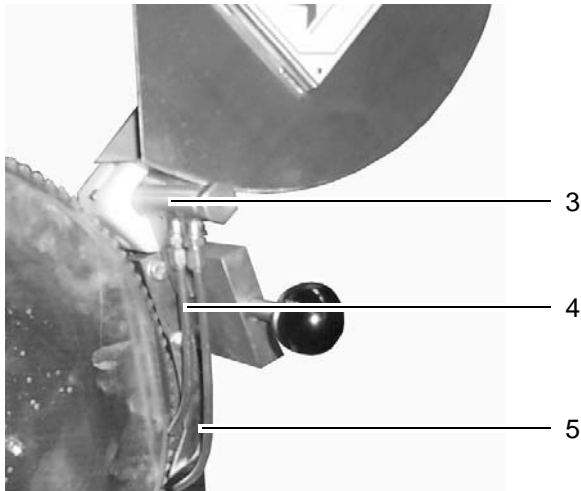
Pos. No	Part No	Name
1	CU-12170	Tightener
2	CU-13677-2	Chain wheel
3	CU-13655-2	Chain wheel
4	CU-10024	Tightener
5	CU-07138	Cog wheel
6	CU-07068	Plate
7	CU-05323-25	Chain wheel

11 Chute (CUM440 11,01)



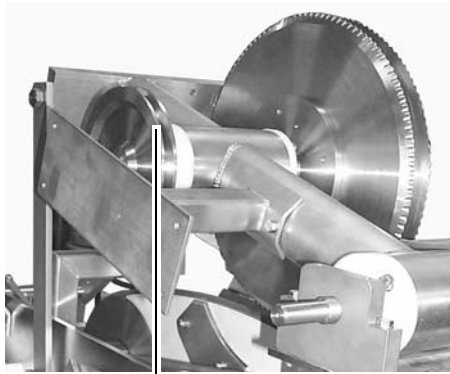
Pos. No	Part No	Name
1	CU-08468	Cover
2	CU-08471	Cover
3	CU-08469-2	Cover
4	CU-13053-3	Chute
5	CU-07704-8	Chute
6	CU-07703-8	Chute

12 Flush system (CUM440 12,02)

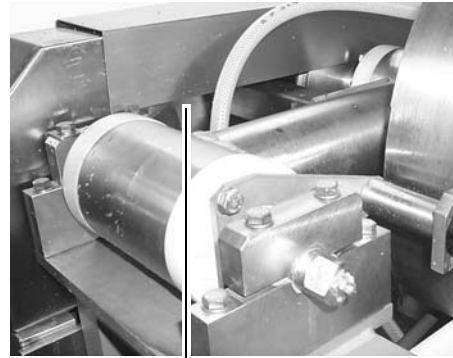


Pos. No	Part No	Name
1	BALLOFIX R3/8"	Valve
2	CU-10386	Connection
3	CU-07782	Pipe
4	CU-10388-1	Pipe
5	CU-10388-2	Pipe
6	CU-12273	Angle
7	CU-12271	Angle

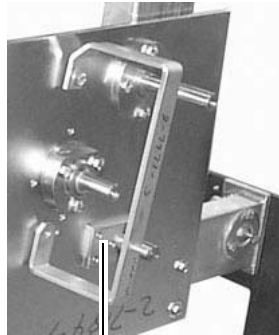
13 Driving device of knives (CUM440 13,02)



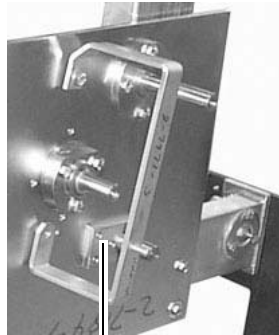
1



2



3



4



3

4

5

9

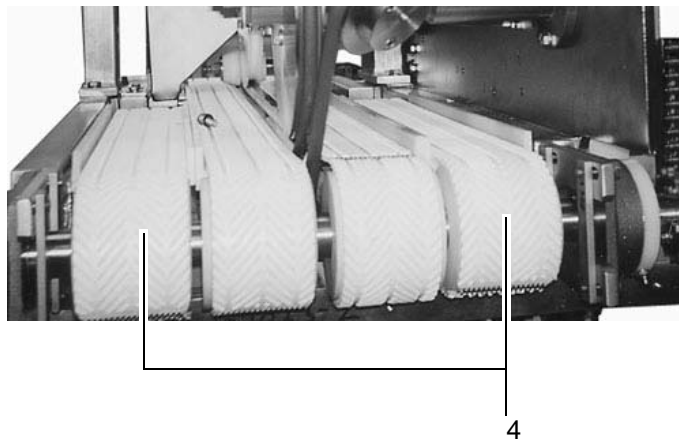
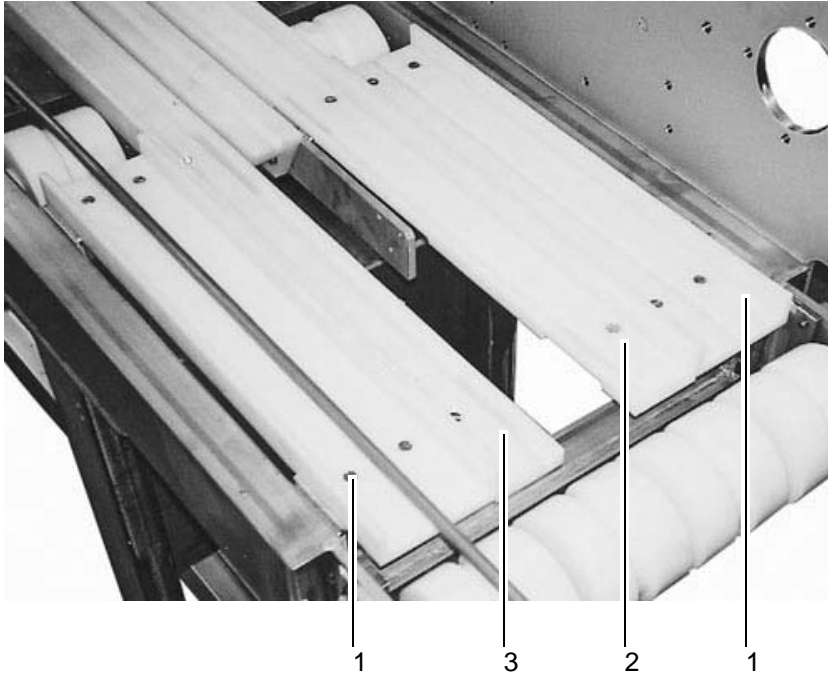
8

7

6

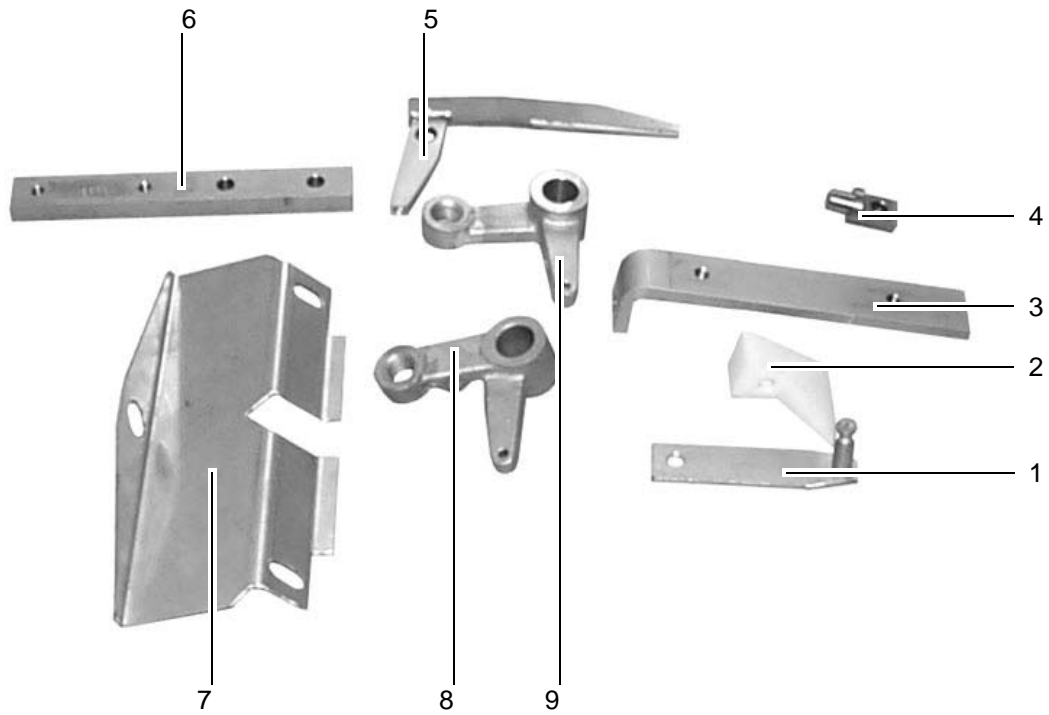
Pos. No	Part No	Name
1	CU-07160-2	Pulley
	CU-00038-24	Belt
2	CU-13645-2	Pulley
	CU-07902	Sleeve
	CU-00239-2	Cap
3	CU-13940-2	Hub
4	CU-07896	Support
	SGA 20 RS	Ring
	V-28S	Sealing
5	CU-13647-2	Pulley
	CU-00038-55	Belt
6	SKF 6204	Ball bearing
7	CU-00241-2	Spacer
8	CU-13648-2	Cap
9	CU-13939	Chain wheel

14 Belt and rail (CUM440 14,01)



Pos No.	Part No.	Name
1	CU-13996	Rail
2	CU-08520-5	Rail
3	CU-08519-5	Rail
4	CU-07194-7	Belt

15 Connection parts (CUM440 201,02)



Pos No.	Part No.	Name
1	CU-04535	Spring holder
2	CU-09358-2	Guide
3	CU-05702-3	Support
4	CU-06302	Shaft
5	CU-06300-3	Guide
6	CU-12099	Spacer
7	CU-05512-5	Cover
8	CU-00121-6	Lever
9	CU-00120-6	Lever

